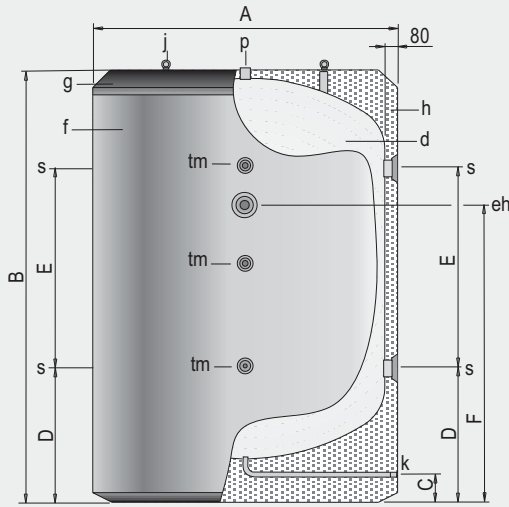
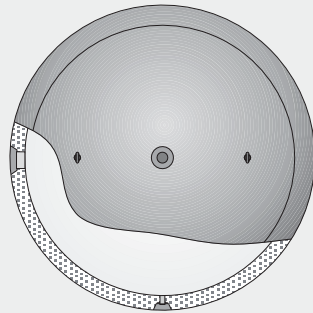


Thermal inertia tanks for storage in primary circuits



- d - Storage tank
- f - External lining (optional)
- g - Top cover (optional)
- h - Thermal insulation
- j - Removable eyebolt for transport



Description

Tanks for closed circuit installation without water renovation with large storage capacities, for solar or geothermal energy as well as for cooling circuits. Made in carbon steel S235JR (1.0037 according to EN 10027-2) with capacities of 1,500 to 5,000 litres. Thermally insulated with rigid, mould-injected, 45 Kg/m3 density CFC-free polyurethane foam. Tanks prepared for an easy manipulation and transport, without the need of a wooden pallet.

Technical characteristics / Connections / Dimensions		MV1500I	MV2000I	MV2500I	MV3000I	MV3500I	MV4000I	MV5000I
Inertia tank capacity	l	1500	2000	2500	3000	3500	4000	5000
Maximum temperature of inertia tank	°C	100	100	100	100	100	100	100
Maximum pressure of inertia tank (*)	bar	6	6	6	6	6	6	6
Approx. empty weight	kg	300	353	503	540	576	893	970
p: upper connection	"GAS/F	2	2	2	2	2	2	2
s: side connection	"GAS/F	4	4	4	4	4	4	4
k: side connection	"GAS/F	1-1/4	1-1/4	1-1/4	1-1/4	1-1/4	1-1/4	1-1/4
eh: side connection	"GAS/F	2	2	2	2	2	2	2
tm: side sensor connection	"GAS/F	1/2	1/2	1/2	1/2	1/2	1/2	1/2
Dimension A: external diameter	mm	1360	1360	1660	1660	1660	1910	1910
Dimension B: total length	mm	1830	2280	2015	2305	2580	2310	2710
Dimension C:	mm	155	155	175	175	175	175	175
Dimension D:	mm	720	720	835	835	835	900	900
Dimension E:	mm	610	1080	590	880	1185	755	1155
Dimension F:	mm	1237	1537	1359	1552	1732	1543	1809

(*) For other pressures, please consult us.