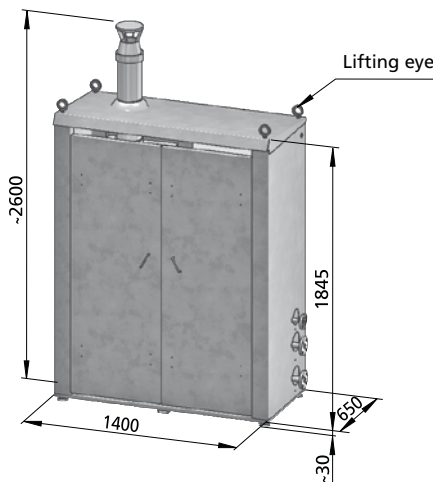


**COMPACT HEATING UNITS FOR TANKS WITH INTERNAL VAPORIZER**

Comprised by a sealed wall-mounted condensing boiler prepared for propane gas operation, an electrical cabinet and all the pipes and valves necessary for its connection with the LPG vaporization equipment. All this housed and prepared for connection and commissioning. Ideal to install together with internal vaporizers.

**CHARACTERISTICS TABLE**

Model	Boiler power (kW)	Weight (Kg.)	For internal vaporizers	
VPC30C	45	265	VIA 300	VIA 150
VPC60C	65	275	VIA 500	

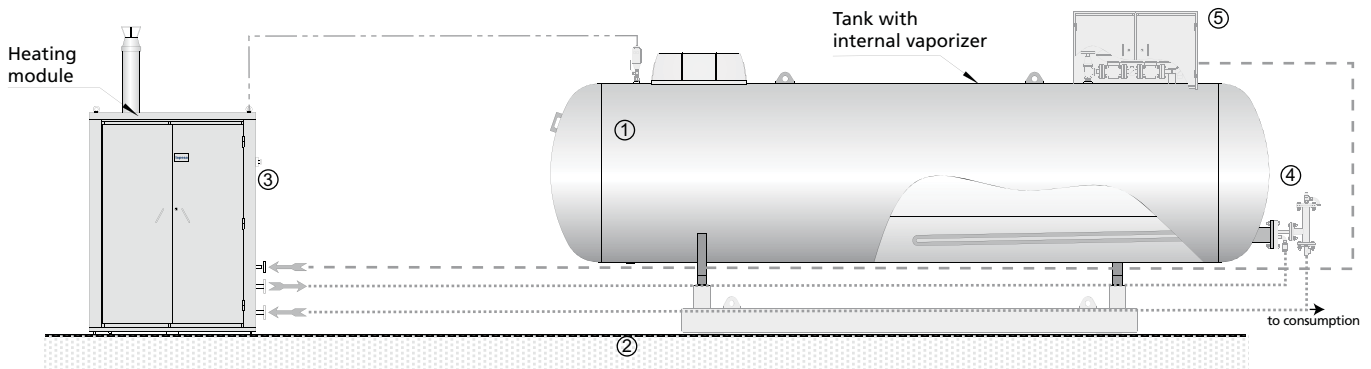


- 1.- Smoke outlet
- 2.- Boiler
- 3.- Adjustable feet
- 4.- Electrical control cabinet
- 5.- Gas supply to boiler (DN15 / PN10)
- 6.- Water outlet (DN25 / PN10)
- 7.- Water return (DN25 / PN10)



**TANK WITH INTERNAL VAPORIZER + MODULAR HEATING UNIT**

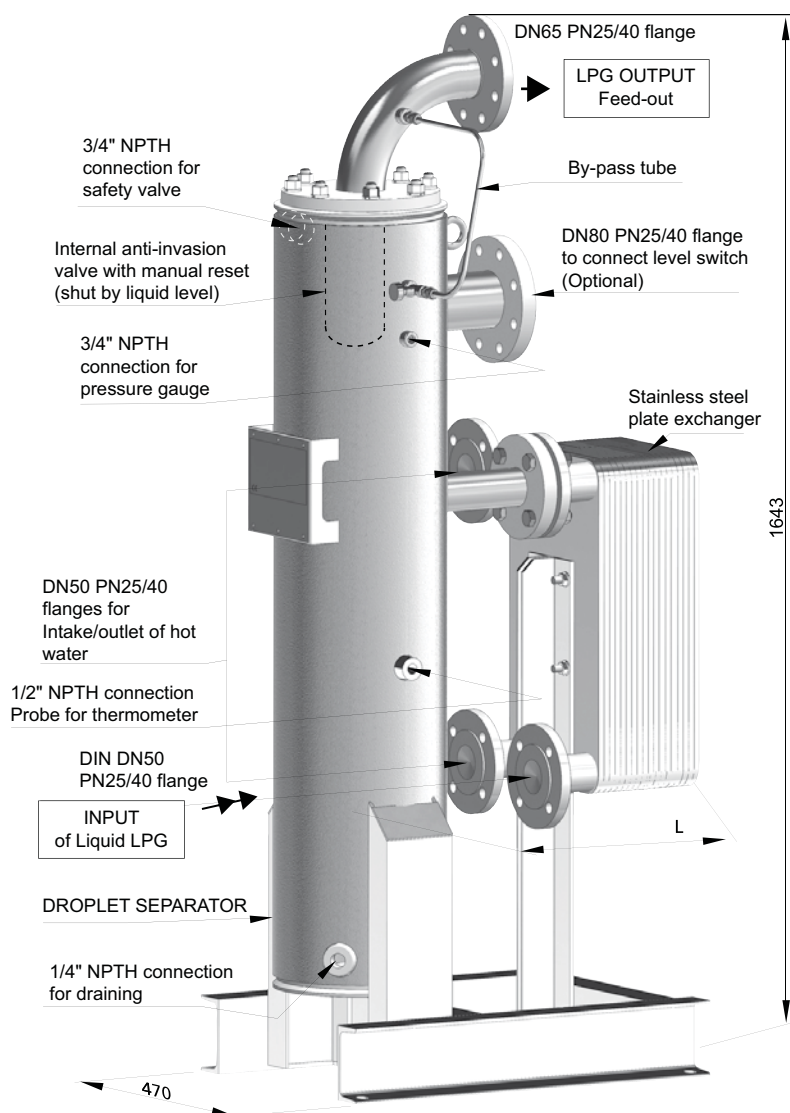
- Set comprising:
- 1- Tank with internal vaporizer with full valve equipment and control train to consumption.
  - 2- Support frame.
  - 3- Heating module.
  - 4- No-gas device.
  - 5- Gas control line.



Installation to be carried out at destination site:

- Control cable (flameproof)
- - - Propane: boiler supply
- ..... Water: heating circuit internal vaporizer

Compact unit model	Tank (l.)	Vaporization (Kg/h)	Heating module model
LPVI4880A+VIA150+VPC30C	4.880	150	VPC30C
LPVI4880A+VIA300+VPC30C	4.880	300	VPC30C
LPVI4880A+VIB500+VPC60C	4.880	500	VPC60C
LPVI110A+VIA150+VPC30C	10.000	150	VPC30C
LPVI110A+VIA300+VPC30C	10.000	300	VPC30C
LPVI110A+VIB500+VPC60C	10.000	500	VPC60C
LPVI113A+VIA150+VPC30C	13.000	150	VPC30C
LPVI113A+VIA300+VPC30C	13.000	300	VPC30C
LPVI113A+VIB500+VPC60C	13.000	500	VPC60C



**MODULAR FEED-OUT VAPORIZERS**

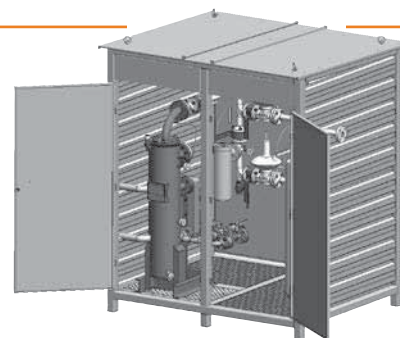
- The system allows the vaporization capacity to be increased by easy replacement of the plate exchanger.
- Vaporization capacities of 500 to 5.000 kg/h.
- Design pressure: 20 bar.
- Rated operating conditions:  
Water input temperature: 55°C.  
Input-output temperature: 20 °C.  
Vaporization pressure: 4 bar.

**CHARACTERISTICS TABLE**

Vaporization capacity (Kg./h.)	Model Ref.	Approx. tare. (Kg.)	L (mm)
500	VPM 500	170	625
1.000	VPM 1000	175	660
1.500	VPM 1500	185	695
2.000	VPM 2000	195	745
3.000	VPM 3000	215	845
5.000	VPM 5000	240	935

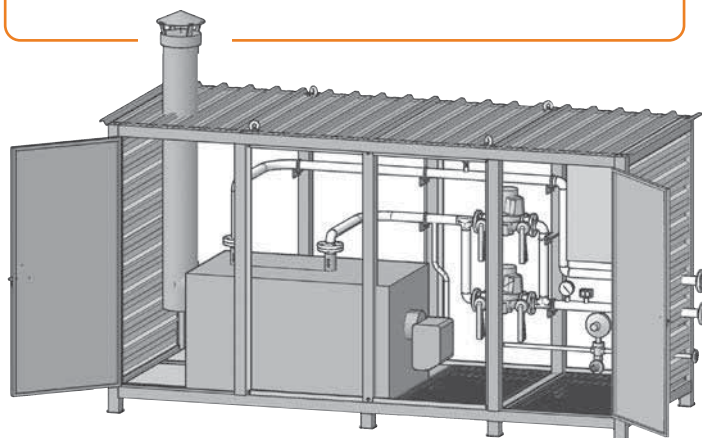
**MODULAR VAPORIZATION UNITS EMV models**

- They allow direct use of tank gas when consumption is small.  
Gas supply to boiler.  
Complete unit comprising:
- Modular vaporizer
  - Condensate separators
  - Control train
  - Valves and safety elements



**MODULAR HEATING UNITS. EMC models**

- Complete unit comprising:
- Heating boiler
  - Pump
  - Regulators, pressure switches, etc.
  - Electric control panel (for boiler module and vaporization module)
  - Gas detection alarm system



**MODULAR HEATING-VAPORIZATION SETS**

- This is a set formed by the following elements:
- 1 - Vaporization module with EMV modular vaporizer
  - 2 - MC heating module.

On-site installation consists of connecting the gas and heating pipes between the modules (tank to vaporization module and this module to the heating module) and wiring up between booths.

**CHARACTERISTICS TABLE**

Modular unit model	Vaporizer (Kg./h.)	Rated boiler power (Mcal./h.)
EMV0500+EMC060C	500	60
EMV1000+EMC120C	1000	120
EMV1500+EMC180C	1500	180
EMV2000+EMC240C	2000	240
EMV3000+EMC360C	3000	360